

DualSense 060S-BH SPHERICAL HYDROPHONE WITH BULKHEAD MOUNTING



Typical Uses: Acoustic Reference Standard, Underwater Communication Systems, Use in Harbour Defence Systems



FEATURES

The DualSense 060S-BH transducer is a horizontally omni-directional, spherical, reciprocal transducer, with a bulkhead mounting. It is useful in applications requiring an acoustic source reference.

This transducer is made with a softer ceramic making it ideal for receiving applications; however, due to the DualSense 060S-BH's reciprocal nature the transducer is equally useable as a projector at resonance. The DualSense series are highly reliable transducers and come in a protective, durable polyurethane coating.

ADVANTAGES

- Horizontally omni-directional
- Long-term stability
- Efficient transmitter
- Durable and reliable construction

ORDER NUMBER

CTG 2128-001

Please specify any alternative cable, connector and/or calibration requirements with order.

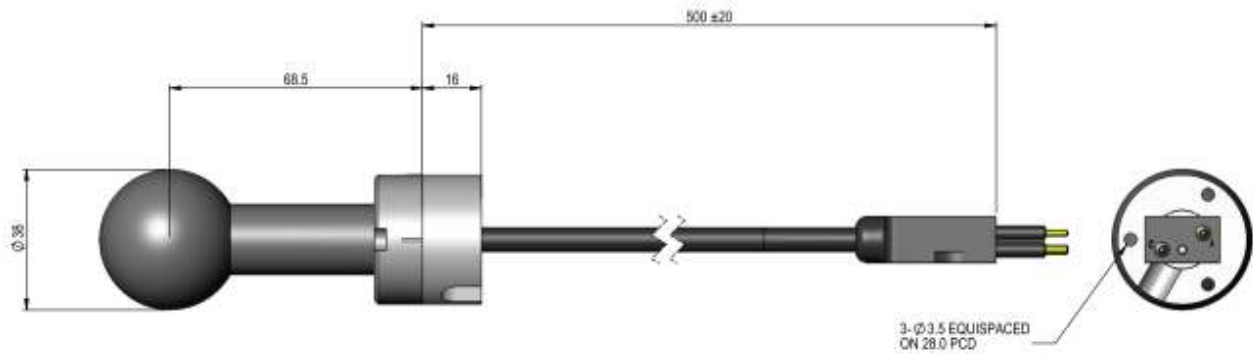
TECHNICAL SPECIFICATION

Nominal resonant frequency	60 kHz
Integral amplifier or tuning element	No
Receive sensitivity @ 65kHz	-194dB re 1V/ μ Pa
Recommended receive frequency range	10Hz –80kHz
Linear frequency range	N/a
Maximum acoustic input @ 65kHz	+241 dB re 1 μ Pa
Transmit Sensitivity @ 60kHz	+150 dB re 1 μ Pa/V at 1m
-3dB bandwidth	7KHz
Quality Factor (3dB)	8.5
Recommended transmit frequency range	40kHz – 80kHz
Maximum source level @ 60kHz	+197 dB re 1 μ Pa at 1m
Maximum applied voltage at resonance	240Vrms
Low frequency capacitance (@ 1kHz)	***
Horizontal Beam Pattern	Omni-directional
Vertical Beam Pattern	> 270 degrees

MECHANICAL SPECIFICATION

Dimensions	Maximum outer diameter 38mm, Length 105mm
Transducer head weight in air	***
Transducer head weight in water	***
Maximum recommended operating depth	1,000 m
Survival depth	2,000 m
Operating temperature range	-2 to +35°C
Cable	500m Flying Lead
Connector	LPMIL-2MP
Mounting	Bulkhead Mounting

MECHANICAL DRAWING

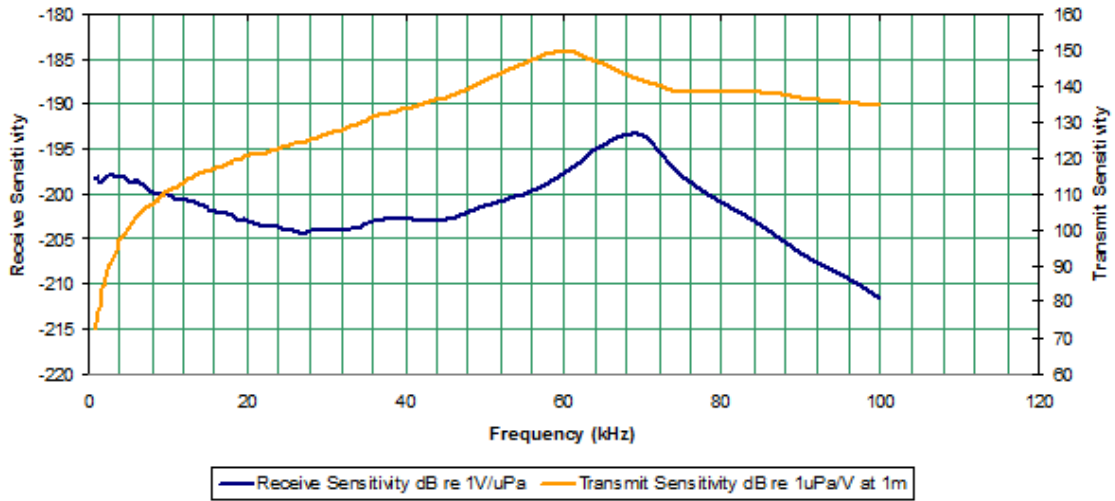


CONNECTOR LAYOUT

Pin	Signal Name
1	Signal +
2	Signal -

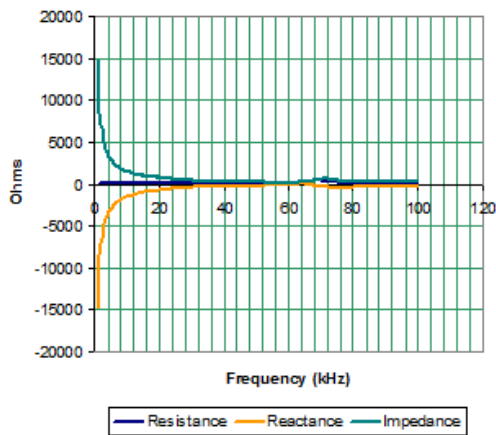
SENSITIVITY

DualSense 060S-BH Sensitivity



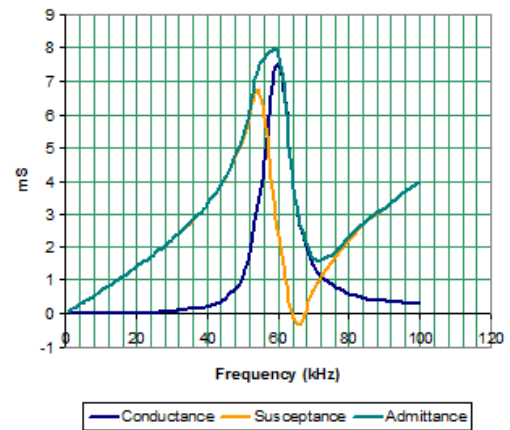
IMPEDANCE

DualSense 060S-BH Impedance



ADMITTANCE

DualSense 060S-BH Admittance



HORIZONTAL BEAM PATTERN

VERTICAL BEAM PATTERN

VARIATIONS

Also see the DualSense 060H projector without the bulkhead mounting which is able to produce much higher source levels and the DualSense 060S-FM-HS a high sensitivity flush mounted hydrophone with resonant frequency at 60kHz.



Chelsea
Technologies
Group Ltd

55 Central Avenue
West Molesey
Surrey KT8 2QZ
United Kingdom
Tel: +44 (0)20 8481 9000
Fax: +44 (0)20 8941 9319
sales@chelsea.co.uk
www.chelsea.co.uk

*** Please contact CTG for further information
In view of our policy of continual improvement, the designs and specifications of our products may vary from those described 2271-016-RS-A)