

DualSense 060H SPHERICAL PROJECTOR



Typical Uses: Acoustic Reference Standard, High Power Noise Source, Underwater Communication Systems



FEATURES

The DualSense 060H transducer is a horizontally omnidirectional, spherical, reciprocal transducer. It is useful in applications requiring an acoustic source reference. This transducer is made with a harder ceramic making it ideal for transmitting applications; however, due to the DualSense 060H's reciprocal nature the transducer is equally useable as a hydrophone over lower frequencies. The DualSense series are highly reliable transducers and come in a protective, durable polyurethane coating.

ADVANTAGES

- Horizontally omnidirectional
- Long-term stability
- Efficient transmitter
- Durable and reliable construction

ORDER NUMBER

CTG 1253-0001

Please specify any alternative cable, connector and/or calibration requirements with order.

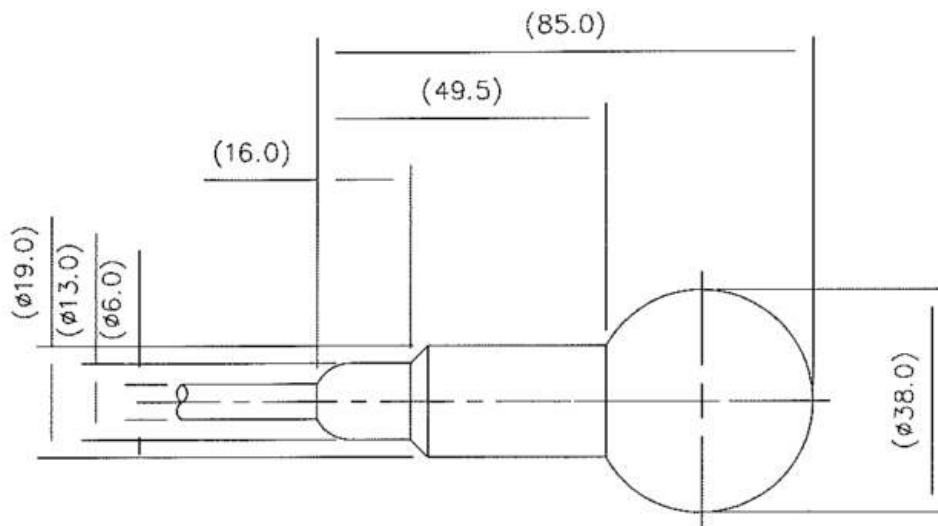
TECHNICAL SPECIFICATION

Nominal resonant frequency	60 kHz
Integral amplifier or tuning element	No
Receive sensitivity @ 65kHz	-196dB re 1V/ μ Pa
Recommended receive frequency range	10Hz – 80kHz
Linear frequency range	10Hz – 10kHz
Maximum acoustic input @ 65kHz	+251 dB re 1 μ Pa
Transmit Sensitivity @ 60kHz	+149 dB re 1 μ Pa/V at 1m
-3dB bandwidth	8KHz
Quality Factor (3dB)	7.5
Recommended transmit frequency range	50kHz – 80kHz
Maximum source level @ 60kHz	+204 dB re 1 μ Pa at 1m
Maximum applied voltage at resonance	600 Vrms
Low frequency capacitance (@ 1kHz)	16 nF
Horizontal Beam Pattern	Omnidirectional +/- 2dB at 50kHz
Vertical Beam Pattern	> 270 degrees

MECHANICAL SPECIFICATION

Dimensions	Maximum outer diameter 38mm, Length 85mm
Transducer head weight in air	***
Transducer head weight in water	***
Maximum recommended operating depth	1,000 m
Survival depth	2,000 m
Operating temperature range	-2 to +35°C
Cable	5m screened, twisted pair cable
Connector	Bare ends, or customer specified
Mounting	Dunking

MECHANICAL DRAWING

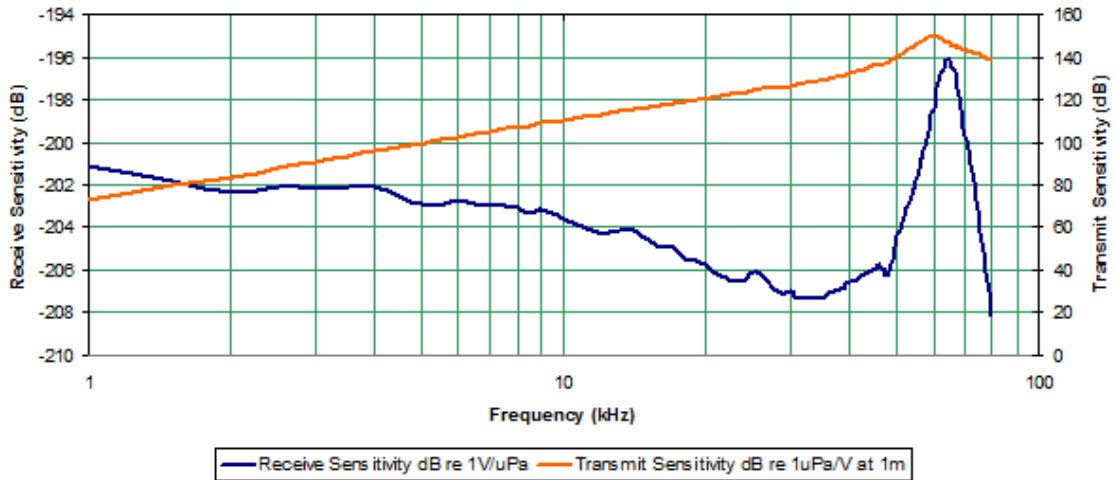


CONNECTOR LAYOUT

Not Applicable

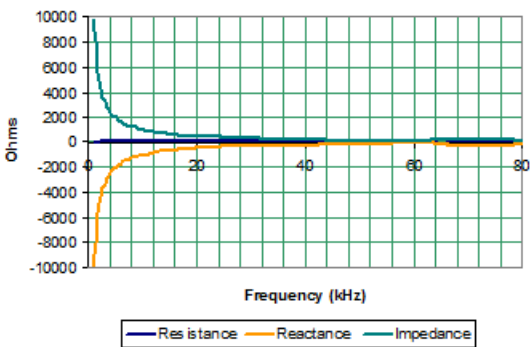
SENSITIVITY

DualSense 060H Sensitivity



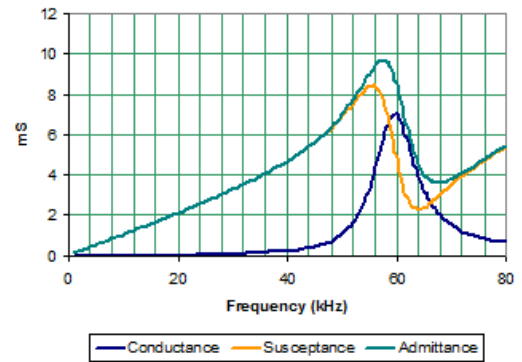
IMPEDANCE

DualSense 060H Impedance



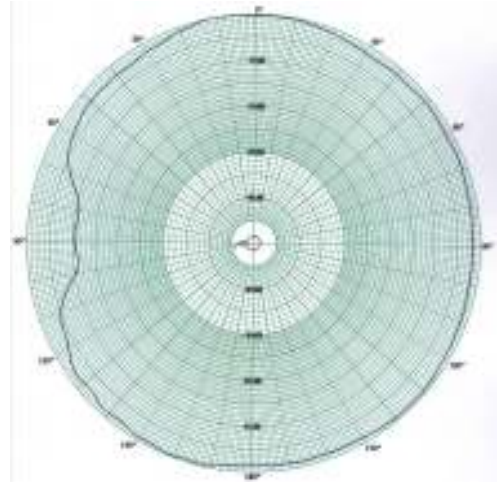
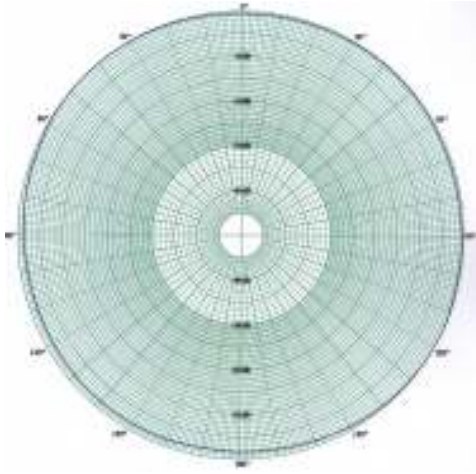
ADMITTANCE

DualSense 060H Admittance



HORIZONTAL BEAM PATTERN @ 50kHz

VERTICAL BEAM PATTERN @ 50kHz



VARIATIONS

Also see the DualSense 060S-BH designed with a bulkhead mounting, and the DualSense 060S-DM-HS is a flush-mounted DualSense 060 with higher sensitivity levels.



*** Please contact CTG for further information
In view of our policy of continual improvement, the designs and specifications of our products may vary from those described 2271-012-RS-A)

Chelsea
Technologies
Group Ltd

55 Central Avenue
West Molesey
Surrey KT8 2QZ
United Kingdom
Tel: +44 (0)20 8481 9000
Fax: +44 (0)20 8941 9319
sales@chelsea.co.uk
www.chelsea.co.uk